

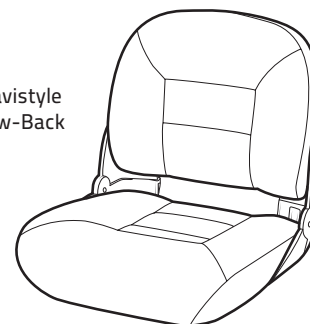


NAVISTYLE™ HIGH-BACK AND LOW-BACK SERIES SEATS

Navistyle
High-Back



Navistyle
Low-Back



INSTALLATION INSTRUCTIONS

This premium replacement boat seat is sewn with UV and abrasion-resistant polyester thread and premium marine-grade vinyl to stand up to all the elements.

REQUIRED FOR INSTALLATION

- Cordless Drill or Phillips Head Screwdriver
- Two 1/4-20 x 3/4"L and two 1/4-20 x 1" L Stainless Mounting fasteners



WARNING: Read installation instructions carefully before installing seats. Improper mounting may result in serious injury.

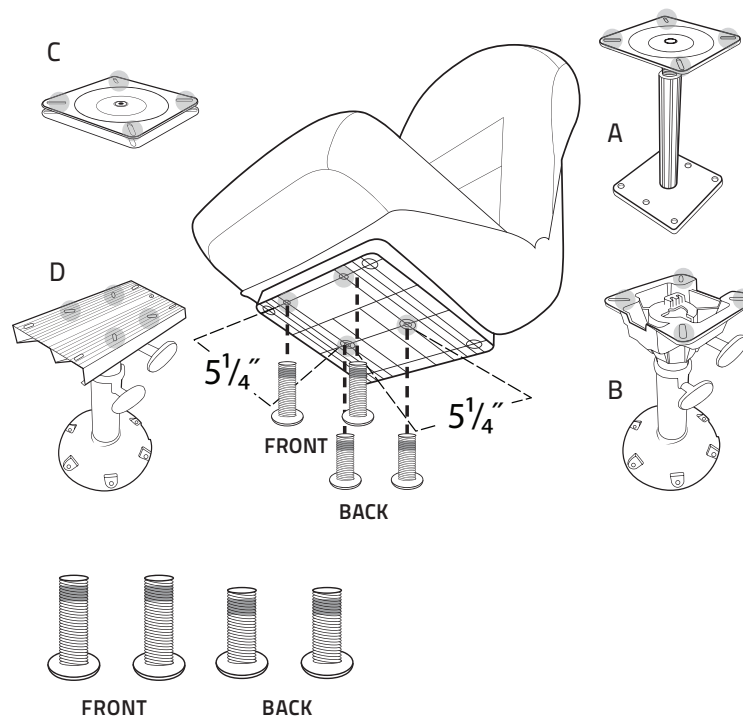
MOUNTING SEAT TO BASE

All Tempress™ seats can be mounted to any 5 1/4" x 5 1/4" seat mounting system. Seats can be mounted to (A) fixed base, (B) pedestal base, (C) swivel base or (D) slider mount.

MOUNTING SEAT (FIGURE 1)

- NOTE: T-nuts are factory installed, The T-nuts are 1/4" x 20 – barrel style
- NOTE: Bolts must be 1/4" - 20 diameter stainless steel fasteners, no longer than 1" (25mm) long

FIGURE 1.



Two 1/4-20 x 3/4"L and two 1/4-20 x 1" L Stainless Mounting Bolts included with 180 degrees of Locktite™ applied which reduces the chance of bolts becoming loose over time.

CONTINUED—SEE OTHER SIDE

TEMPRESS

Since 1972

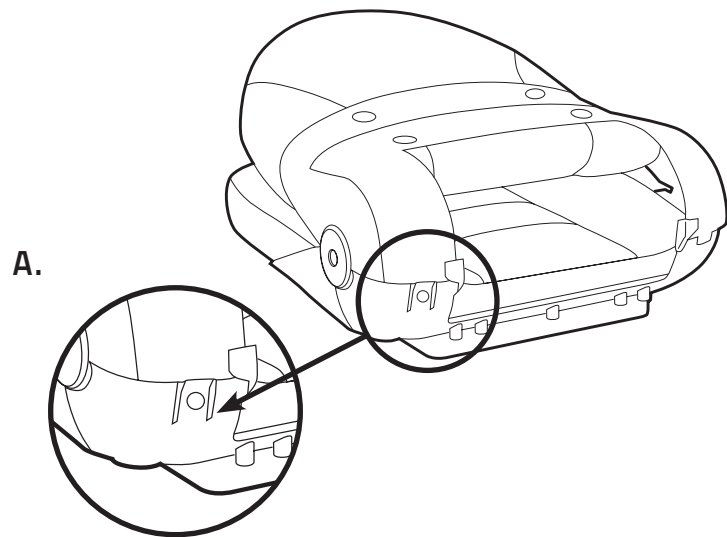


SEAT TRAILERING LOCK (FIGURE 2)

Your new Tempress seat features a patented "Lock" feature to keep the seat folded flat when trailering the boat or when the seat is not in use. Fold the seat forward and the "Lock" will engage, keeping the back from moving upward. To dis-engage the locking tab, simply press down on the tab (A) while pulling the seat back into the upright position. This patented feature is only available on Tempress seating.

Visit our website www.tempress.com for installation and maintenance videos of our complete line of seating options.

FIGURE 2.



TEMPRESS LIMITED WARRANTY

Tempress Products warrants that the products described in this warranty are free from defects in workmanship and materials for a period of (i) one (1) year with respect to vinyl covered and/or upholstered products and (ii) one (1) year with respect to plastic products and plastic components of products, such time periods beginning on the original date of purchase. This warranty will not apply to any product or component of a product damaged as a result of an accident, improper installation, unreasonable use, lack of proper maintenance, unauthorized repair, modification, or any cause other than a defect in materials and/or workmanship. This warranty does not cover upholstery produced by a manufacturer other than Tempress that may use Tempress components. FOR BREACH OF ANY WRITTEN OR IMPLIED WARRANTY ON THIS PRODUCT, THE CONSUMER IS LIMITED TO CONSUMER'S ACTUAL DAMAGES, AND SPECIAL, INCIDENTAL AND CONSEQUENTIAL DAMAGES ARE SPECIFICALLY EXCLUDED, EXCEPT IN STATES WHERE SUCH LIMITATIONS ARE UNLAWFUL. This warranty extends exclusively to the original purchaser of the warranted product, and subsequent purchasers and/or transferees are not covered by this warranty agreement, unless Tempress otherwise agrees in its sole discretion. To obtain authorization to return product, as well as any warranty information, call Tempress at 877-234-7466. The remedy will consist of repair or replacement of the product, as determined appropriate by Tempress in its sole discretion. This warranty gives you specific legal rights, that may vary from state to state.



WARNING: This product can expose you to DEHP which is known by the State of California to cause cancer and birth defects or other reproductive harm. www.P65Warnings.ca.gov

Tempress Products, LP / 5052 Sharp St. / Dallas, TX 75247 / 1-877-234-7466



WWW.TEMPRESS.COM